

Bridge Rectifier

EDF1AS

50V / 1A

DATASHEET

from

www.web-bcs.com

OEM – General Semiconductor

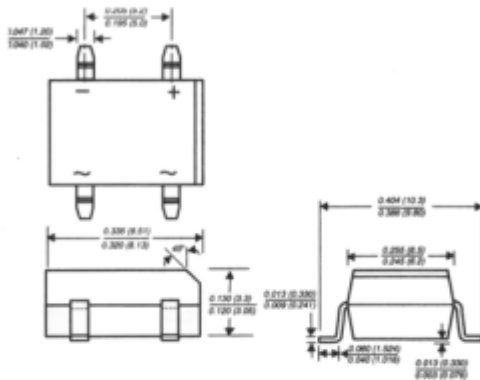
Source: General Semiconductor Databook 1998

EDF1AS THRU EDF1DS

MINIATURE GLASS PASSIVATED FAST EFFICIENT SURFACE MOUNT BRIDGE RECTIFIER

Reverse Voltage - 50 to 200 Volts Forward Current - 1.0 Ampere

Case Style DFS



Dimensions in inches and (millimeters)

FEATURES

- Plastic package has Underwriters Laboratory Flammability Classification 94V-0
- This series is UL listed under Recognized Component Index, file number E54214
- Glass passivated chip junctions
- High surge overload rating- 50 amperes peak
- Ideal for printed circuit boards
- Superfast recovery times for high efficiency
- High temperature soldering guaranteed: 260°C/10 seconds at 5 lbs (2.3kg) tension



MECHANICAL DATA

Case: Molded plastic body over passivated junctions

Terminals: Plated leads solderable per MIL-STD-750, Method 2026

Polarity: Polarity symbols marked on body

Mounting Position: Any

Weight: 0.04 ounce, 1.0 gram

MAXIMUM RATINGS AND ELECTRICAL CHARACTERISTICS

Ratings at 25°C ambient temperature unless otherwise specified.

	SYMBOLS	EDF1AS	EDF1BS	EDF1CS	EDF1DS	UNITS
Maximum repetitive peak reverse voltage	VRRM	50	100	150	200	Volts
Maximum RMS voltage	VRMS	35	70	106	140	Volts
Maximum DC blocking voltage	VDC	50	100	150	200	Volts
Maximum average forward output rectified current at TA=40°C (NOTE 2)	I(AV)	1.0				Amp
Peak forward surge current single half sine-wave superimposed on rated load (JEDEC Method) TJ=150°C	IFSM	50.0				Amps
Rating for fusing (t < 8.3ms)	I ² t	10.0				A ² sec
Maximum instantaneous forward voltage drop per leg at 1.0A	VF	1.05				Volts
Maximum DC reverse current	IR	TA=25°C	5.0			µA
at rated DC blocking voltage		TA=125°C	1.0			mA
Maximum reverse recovery time (NOTE 1)	trr	50.0				ns
Typical thermal resistance per leg (NOTE 2)	RGJA	38.0				°C/W
	RGJL	12.0				
Operating junction and storage temperature range	TJ, TSTG	-55 to +150				°C

NOTES:

- (1) Reverse recovery test conditions: Ir=0.5A, Itr=1.0A, Itr=0.25A
 (2) Units mounted on P.C.B. with 0.51 x 0.51" (13 x 13mm) copper pads

RATINGS AND CHARACTERISTICS CURVES EDF1AS THRU EDF1DS

