

Bridge Rectifier

W06G

600V / 1,5A

DATASHEET

from

www.web-bcs.com

OEM – General Semiconductor

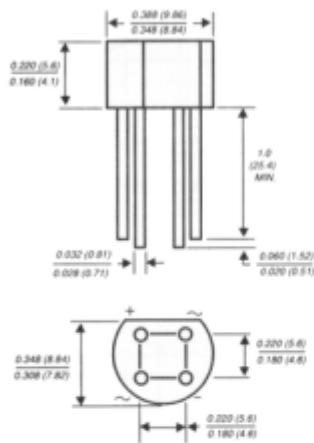
Source: General Semiconductor Databook 1998

W005G THRU W10G

GLASS PASSIVATED SINGLE-PHASE BRIDGE RECTIFIER

Reverse Voltage - 50 to 1000 Volts Forward Current - 1.5 Amperes

Case Style W0G



Dimensions in inches and (millimeters)

FEATURES

- ◆ Plastic material has Underwriters Laboratory Flammability Recognition 94V-0
- ◆ This series is UL listed under the Recognized Component Index, file number E54214
- ◆ Glass passivated chip junctions
- ◆ High case dielectric strength
- ◆ Typical I_R less than $0.1\mu A$
- ◆ High overload surge capability
- ◆ Ideal for printed circuit boards
- ◆ High temperature soldering guaranteed:
260°C/10 seconds, 0.375" (9.5mm) lead length,
5lbs (2.3kg) tension



MECHANICAL DATA

Case: Molded plastic body over passivated junctions

Terminals: Plated leads solderable per MIL-STD-750, Method 2026

Mounting Position: Any

Weight: 0.04 ounce, 1.1 grams

MAXIMUM RATINGS AND ELECTRICAL CHARACTERISTICS

Ratings at 25°C ambient temperature unless otherwise specified.

	SYMBOLS	W005G	W01G	W02G	W04G	W06G	W08G	W10G	UNITS
Maximum repetitive peak reverse voltage	VRRM	50	100	200	400	600	800	1000	Volts
Maximum RMS voltage	VRMS	35	70	140	280	420	560	700	Volts
Maximum DC blocking voltage	VDC	50	100	200	400	600	800	1000	Volts
Maximum average forward rectified current at 0.375" (9.5mm) lead length at TA=25°C	IF(AV)	1.5							Amps
Peak forward surge current single sine-wave superimposed on rated load (JEDEC Method)	IFSM	50.0							Amps
Rating for fusing (t<8.3ms)	I ² t	10.0							A ² sec
Maximum instantaneous forward voltage drop per leg at 1.0A	VF	1.0							Volts
Maximum DC reverse current at rated TA=25°C DC blocking voltage per leg TA=125°C	IR	5.0 500.0							μA
Typical junction capacitance per leg (NOTE 1)	CJ	14.0							pF
Typical thermal resistance per leg (NOTE 2)	REJA REJL	36.0 11.0							°C/W
Operating junction temperature range	TJ	-55 to +150							°C
Storage temperature range	TSTG	-55 to +150							°C

NOTES:

(1) Measured at 1.0 MHz and applied reverse voltage of 4.0 Volts

(2) Thermal resistance from junction to ambient and from junction to lead at 0.375" (9.5mm) lead length P.C.B. mounting

RATINGS AND CHARACTERISTICS CURVES W005G THRU W10G

