

# Bridge Rectifier

## **B80C800DM**

80V / 0,8A

# DATASHEET

from

[www.web-bcs.com](http://www.web-bcs.com)

OEM – General Semiconductor

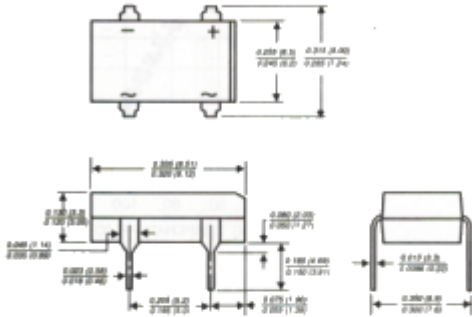
Source: General Semiconductor Databook 1998

# B40C800DM THRU B380C800DM

## MINIATURE GLASS PASSIVATED SINGLE-PHASE BRIDGE RECTIFIER

Reverse Voltage - 65 to 600 Volts Forward Current - 0.9 Ampere

### Case Style DFM



Dimensions in inches and (millimeters)

### FEATURES

- ◆ Plastic package has Underwriters Laboratory Flammability Classification 94V-0
- ◆ Glass passivated chip junctions
- ◆ Surge overload rating of 45 Amperes peak
- ◆ Ideal for printed circuit boards
- ◆ High temperature soldering guaranteed: 260°C/10 seconds at 5 lbs. (2.3kg) tension



### MECHANICAL DATA

**Case:** Molded plastic body over passivated junctions  
**Terminals:** Plated leads solderable per MIL-STD-750, Method 2026  
**Polarity:** Polarity symbols marked on body  
**Mounting Position:** Any  
**Weight:** 0.04 ounce, 1.0 gram

### MAXIMUM RATINGS AND ELECTRICAL CHARACTERISTICS

Ratings at 25°C ambient temperature unless otherwise specified.

	SYMBOLS	B40 C800DM	B80 C800DM	B125 C800DM	B250 C800DM	B380 C800DM	UNITS
Maximum repetitive peak reverse voltage	V <sub>RRM</sub>	65	125	200	400	600	Volts
Maximum RMS input voltage R + C-load	V <sub>RMS</sub>	40	80	125	250	380	Volts
Maximum average forward output current for free air operation at T <sub>A</sub> =45°C R + L-load C-load	I(AV)	0.9 0.8					Amp
Maximum DC blocking voltage	V <sub>DC</sub>	65	125	200	400	600	Volts
Maximum peak working voltage	V <sub>RWM</sub>	90	180	300	600	900	Volts
Maximum non-repetitive peak voltage	V <sub>RSM</sub>	100	200	350	650	1000	Volts
Maximum repetitive peak forward surge current	I <sub>FRM</sub>	10.0					Amps
Peak forward surge current single sine wave on rated load at T <sub>J</sub> =125°C	I <sub>FSM</sub>	45.0					Amps
Rating for fusing at T <sub>J</sub> =125°C (t<100ms)	I <sub>T</sub>	10.0					A'sec
Minimum series resistor C-load at V <sub>RMS</sub> = ±10%	R <sub>T</sub>	1.0	2.0	4.0	8.0	12.0	Ohms
Maximum load capacitance +50% -10%	C <sub>L</sub>	5000	2500	1000	500	200	µF
Maximum instantaneous forward voltage drop per leg at 0.9A	V <sub>F</sub>	1.0					Volts
Maximum reverse current at rated repetitive peak voltage per leg	I <sub>R</sub>	10.0					µA
Typical thermal resistance per leg (NOTE 1)	R <sub>θJA</sub> R <sub>θJL</sub>	40.0 15.0					°C/W
Operating junction temperature range	T <sub>J</sub>	-40 to +125					°C
Storage temperature range	T <sub>STG</sub>	-40 to +150					°C

NOTES: (1) Thermal resistance from junction to ambient and from junction to lead P.C.B. mounted on 0.5 x 0.5" (13 x 13mm) copper pads

**RATINGS AND CHARACTERISTICS CURVES B40C800DM THRU B380C800DM**

